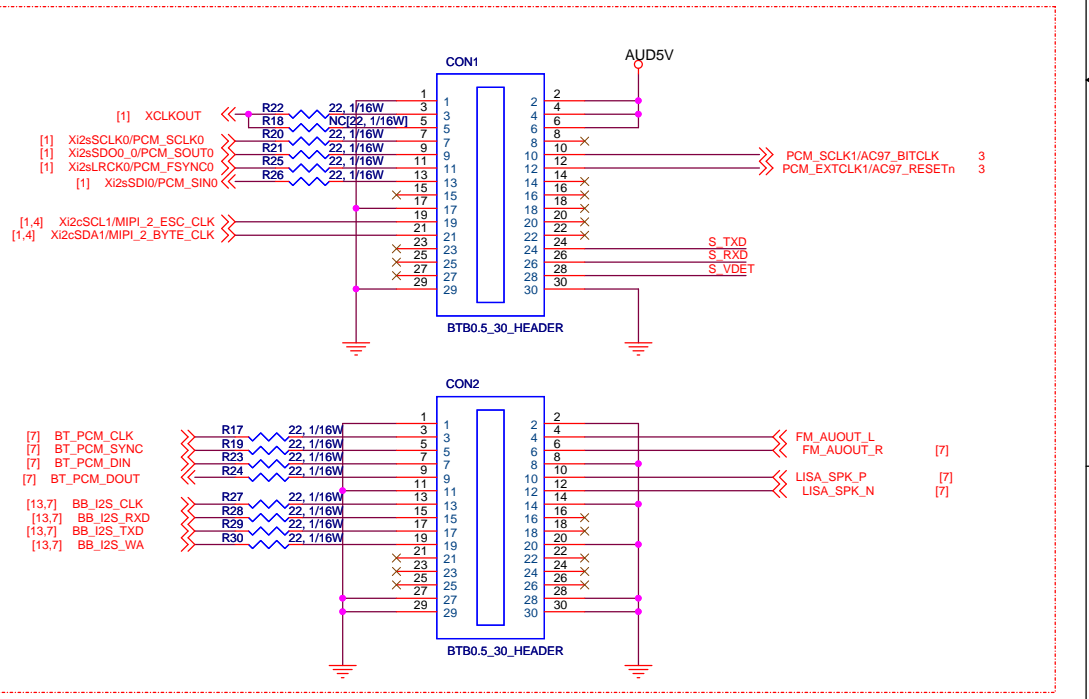
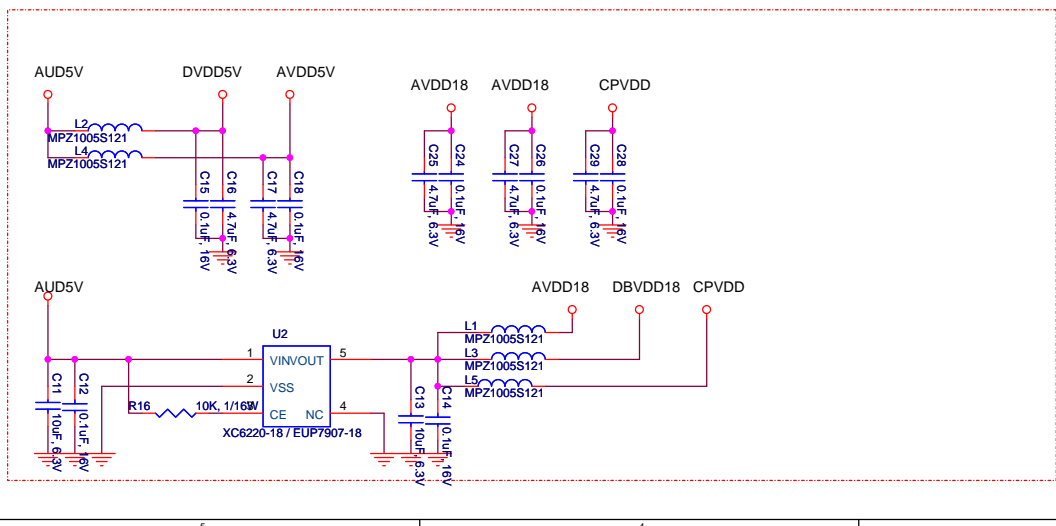
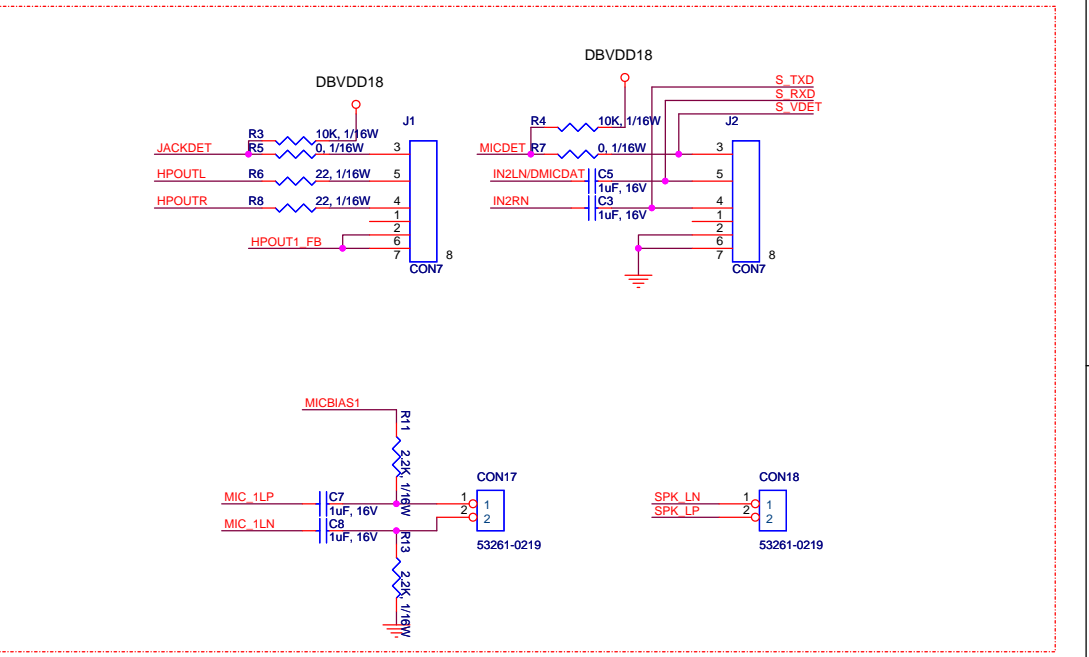
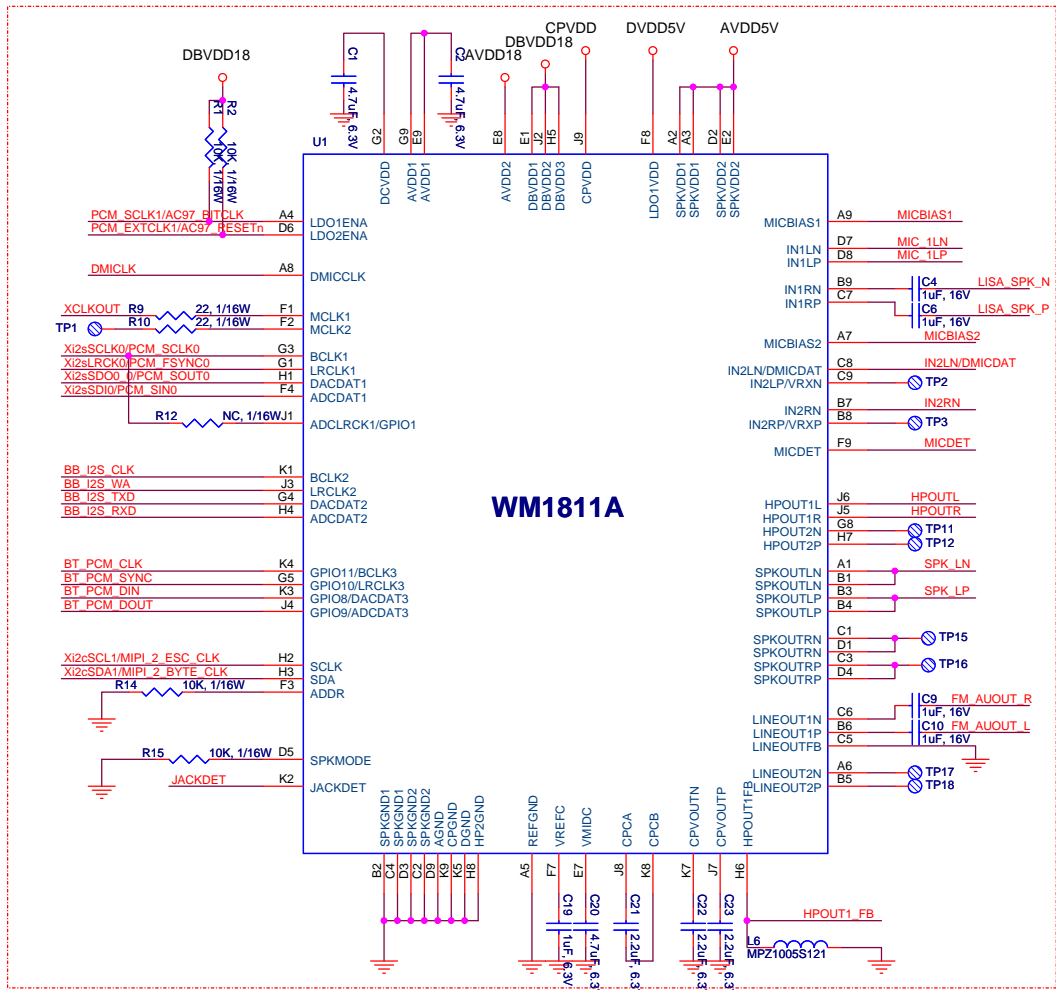


ARNDALE WM1811A SOUND MODULE

Revision	Date	Description
Rev 0.1	2012.06	WorkingSample Version
Rev 0.1	2012.08	P.P Version



InSignal		
Title Arndale SOUND		
Size A4	Document Number Revision History	Rev A
Date: Tuesday, October 23, 2012	Sheet 1	of 2



InSignal		
Arndale SOUND		
Title	Document Number	Rev
	MAIN	C
Date: Tuesday, October 23, 2012	Sheet	2 of 2